



# REPLACEMENT ALFA LAVAL MOATTI SPARE PARTS

Hebei Sinft Filter Co., Ltd.

## COMPATIBLE WITH: Alfa Laval Moatti

- FF150D/152 FF150/152D
- FM150D/152
- FM150/152DE
- T150/152/T280/XL280
- T290/240/350
- And many more

### HEBEI SINFT FILTER CO., LTD.

+8615303112602

iris@sinfthfilter.com

www.sinfthfilter.com

7th Building, Ruicheng City Plaza, Jinshan Street,  
Shijiazhuang, Hebei Province, China

# BRIEF INTRODUCTION OF ENTERPRISE



## HISTORY

SINFT is located in Shijiazhuang City, Hebei Province, covering 26,658 m<sup>2</sup>. We was established in 2007, Now we has become an excellent manufacturer of brand-compatible spare parts in the industrial filtration and spraying fluid delivery industries with 16 years of experience accumulation and precipitation .

## PRODUCT CATEGORY

- High Pressure Filter Elements
- Low Pressure Filter Elements
- Hydraulic Filter Elements
- Customization Filter Elements
- Replacement Moatti Spare Parts

- Stainless Steel Filter Elements
- Pipeline Basket Strainer (simplex&Duplex)
- Replacement filter elements for over 200 brands  
INDUFIL, PALL, HYDAC, HILCO, BOLL&KIRCH, FILTREC,  
INTERNORMAN, PARKER, SF, STAUFF, MP, VICKERS, ARGO,  
DONALDSON, HY-PRO, EATON, TAISEIKOGYO, etc.

## VISION & MISSION

SINFT vision: High-quality, future-proof products and solutions with customer service for any need at any time. Everything we do starts with a specific need which represents our true mission. It drives us to continuously improve and build trust with our customers.

## CERTIFICATION

SINFT certifications: ISO 9001:2015,CE, EPR and others.

## PRODUCTION

SINFT produces high quality accessories and spare parts compatible with major brands in the world market with much competitive prices. We use advanced, professional, automated and precise equipment to escort the orders, and our professional quality department from the operator to the precise control system of the machine which all ensure the safety and reliability of the quality.

# CONTENT

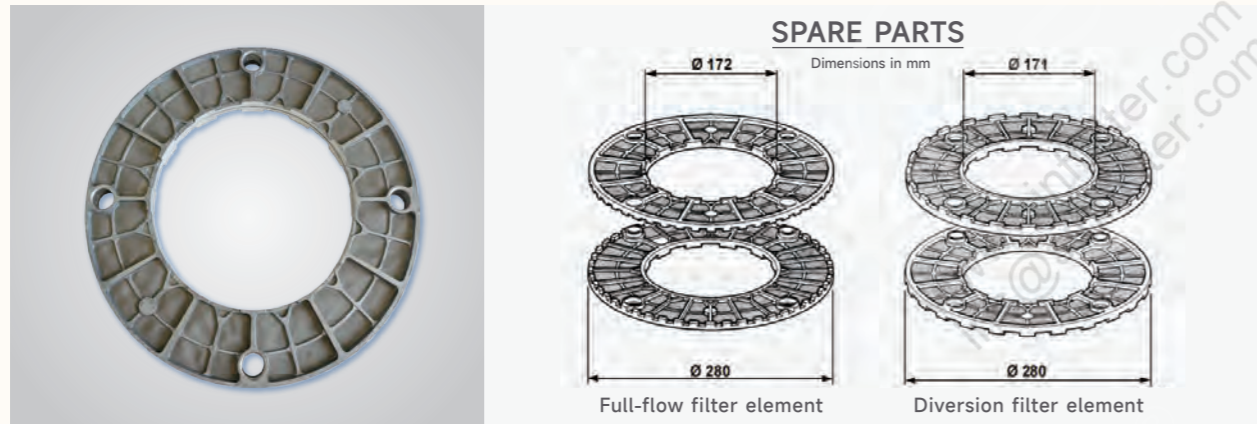
01	PRODUCT INTRODUCTION	03
02	CLEANING METHOD	13
03	APPLICATION SCENARIO	14
04	USER EVALUATION	15
05	PRODUCT COMPARISON	17
06	AFTER-SALES SERVICE	18



# 01. PRODUCT INTRODUCTION

APPLICATION FILTER MODEL:

**Type XL280D-25/4 to 40/4**



Filtration code	Full flow filter	Diversion filter
A06	1800-03401	/
A08	1800-03403	/
A011	/	1800-03406

## SET OF FULL-FLOW FILTER ELEMENTS

Filter Size XL280D-25/4 to 40/4 (LGMS/ LSM-280-BN)	Number of full-flow elements in the set	Filtration code	
		A06	A08
		Article No.	
25\4	25	1800-10537	1800-10544
30\4	30	1800-10538	1800-10546
40\4	40	1800-10540	1800-10548

## SET OF DIVERSION FILTER ELEMENTS

Number of diversion element	Filtration code
Article No.	
4	1800-10555

## TECHNICAL DATA AND DRAWINGS

### FILTER CODE

Filter series	Diameter of filter elements	With diversion chamber	Number of full-flow elements	Number of diversion elements	Filtering code
Example XL	280	D	- 25	/ 4	- A08

Filter type

Filter size

Filter model

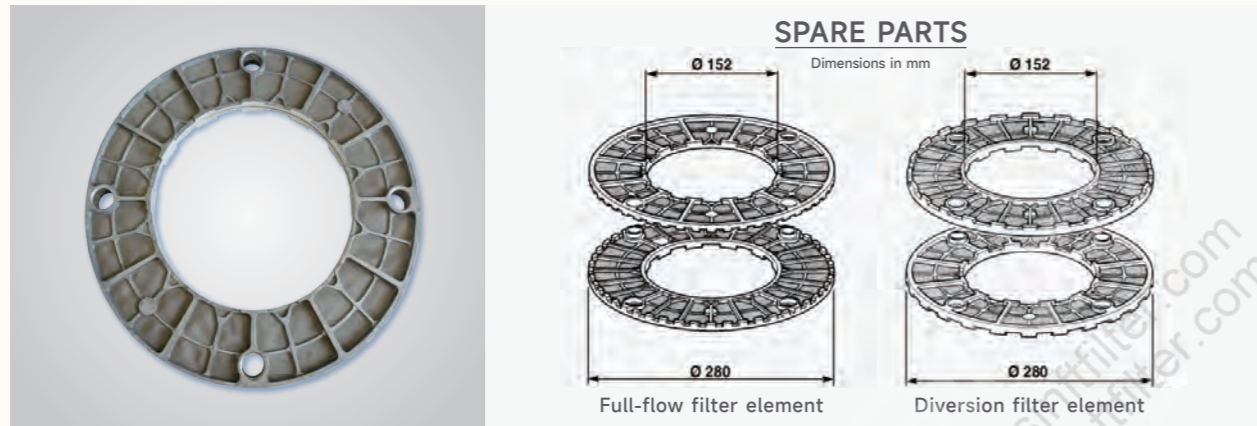
### MOATTI FILTERING CODE/FILTER FINENESS

Moatti filtering code	Filter fineness in $\mu\text{m}$	
	Absolute <sup>1)</sup>	Nominal <sup>2)</sup>
A06	40	25
A08	50	35

1) **Absolute:** Mesh size  
(Sphere passing mesh)

2) **Nominal:** 85 - 90 % of all particles with a diameter  
larger than the figure in the table are retained.

APPLICATION FILTER MODEL:  
**Type T280D-25**



Filtration code according to filter model	Full flow filter element Article No.	Diversion filter element Article No.
A03	1800-03383	/
A05	1800-03384	/
A07	1800-03385	/
A016	/	1800-03390

SET OF FULL-FLOW FILTER ELEMENTS

Number of full-flow elements	Filtration code		
	A03	A05	A07
Article No.			
25	1800-19305	1800-19316	1800-19327
30	1800-19306	1800-19317	1800-19328
40	1800-19308	1800-19319	1800-19330
50	1800-19310	1800-19321	1800-19332

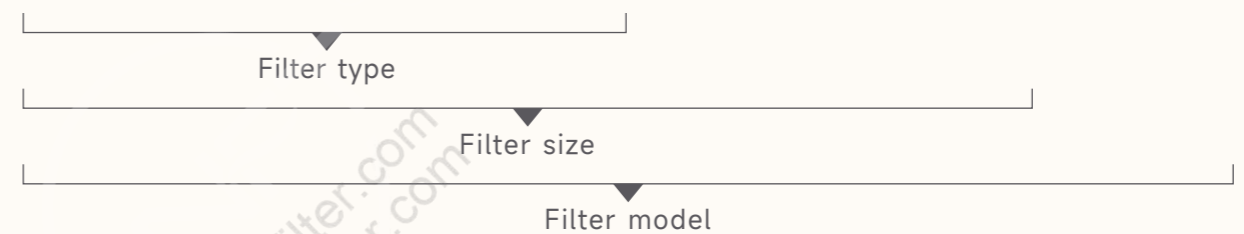
SET OF DIVERSION FILTER ELEMENTS

Number of diversion elements	Filtration code
	Article No.
4	A016 1800-19355
6	1800-19296
8	1800-19356

TECHNICAL DATA AND DRAWINGS

FILTER CODE

Filter series	Diameter of filter elements	Diversion chamber	Number of full-flow elements	Number of diversion elements	Filtering code
Example XL	280	D	- 25	/ 4	- A07

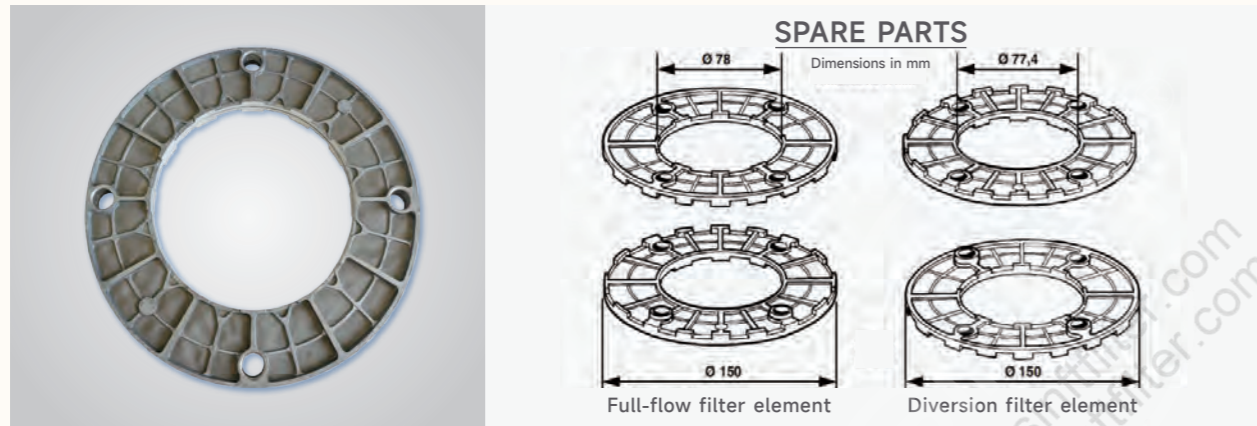


MOATTI FILTERING CODE/FILTER FINENESS

Moatti filtering code	Filter fineness in µm	
	Absolute <sup>1)</sup>	Nominal <sup>2)</sup>
A03	25	10
A05	35	20
A07	45	30

- 1) **Absolute:** Mesh size (Sphere passing mesh)
- 2) **Nominal:** 85 - 90 % of all particles with a diameter larger than the figure in the table are retained.

APPLICATION FILTER MODEL:  
**FM152DE**



Filtration code according to filter model	Filtration code for full-flow element	Full flow filter element Article No.	Filtration code for diversion element	Diversion filter element Article No.
A01	A01	1800-03416	A05	1800-03420
A03	A03	1800-03417	A09	1800-03421
A05	A05	1800-03418	A09	1800-03421
A07	A07	1800-03419	A09	1800-03421

SET OF FULL-FLOW FILTER ELEMENTS

Number of full-flow elements	Filtration code			
	A01	A03	A05	A07
Article No.				
8	1800-09480	1800-09456	1800-09461	1800-09466
12	1800-09510	1800-09457	1800-09462	1800-09467
16	1800-09511	1800-09458	1800-09463	1800-09468
24	1800-09512	1800-09459	1800-09464	1800-09469
30	1800-09513	1800-09460	1800-09465	1800-09470

SET OF DIVERSION FILTER ELEMENTS

Number of diversion elements	Filtration code	
	A05	A09
Article No.		
4	1800-10516	1800-10520
6	1800-10517	1800-10521
8	1800-10518	1800-10522
12	1800-10519	1800-10523

TECHNICAL DATA AND DRAWINGS

FILTER CODE

Filter series	Diameter of filter elements	With diversion chamber	Number of full-flow elements	Number of diversion elements	Filtering code
Example T	150	D	- 12	/ 6	- A07
Filter type			Filter size		
Filter model					

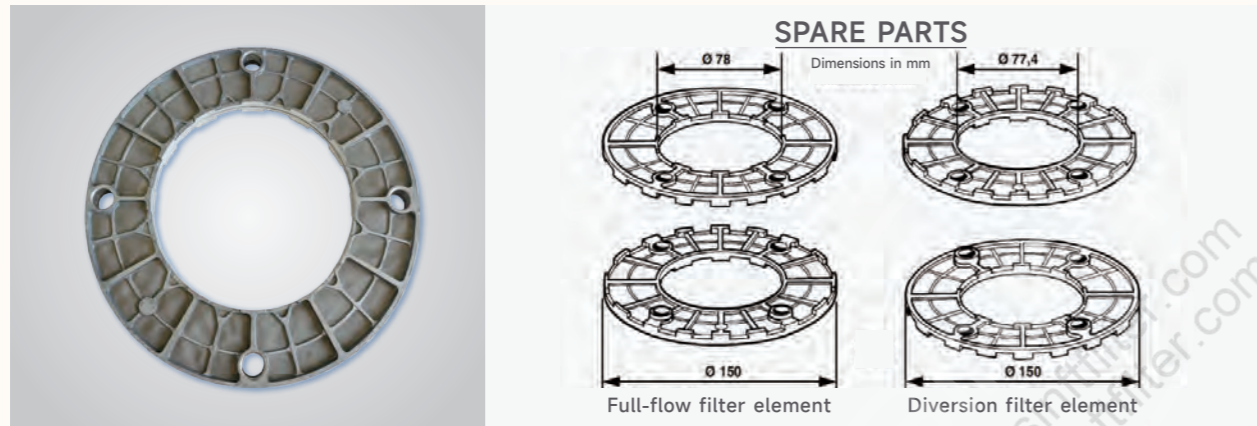
MOATTI FILTERING CODE/FILTER FINENESS

Moatti filtering code	Filter fineness in $\mu\text{m}$	
	Absolute <sup>1)</sup>	Nominal <sup>2)</sup>
A05	35	20
A07	45	30

- Absolute:** Mesh size (Sphere passing mesh)
- Nominal:** 85 - 90 % of all particles with a diameter larger than the figure in the table are retained.



APPLICATION FILTER MODEL:  
**Type 150D**



Filtration code according to filter model	Full flow filter element Article No.	Diversion filter element Article No.
A05	1800-03364	/
A07	1800-03365	/
A011	/	1800-03381

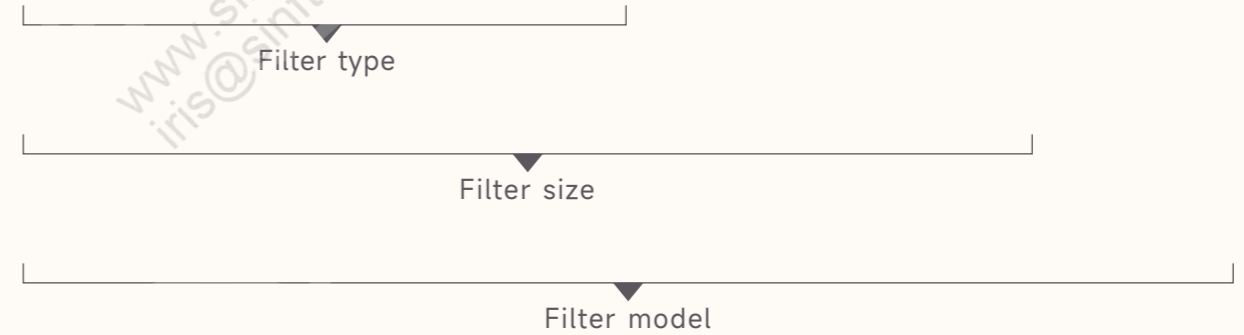
SET OF FULL-FLOW FILTER ELEMENTS

Number of full-flow elements	Filtration code	
	A05	A07
Article No.		
12	1800-09081	1800-09086
16	1800-09129	1800-09132
24	1800-09109	1800-09113
30	1800-09167	1800-09114

**TECHNICAL DATA AND DRAWINGS**

FILTER CODE

	Filter series	Diameter of filter elements	With diversion chamber	Number of full-flow elements	Number of diversion elements	Filtering code
Example	T	150	D	12	6	A07



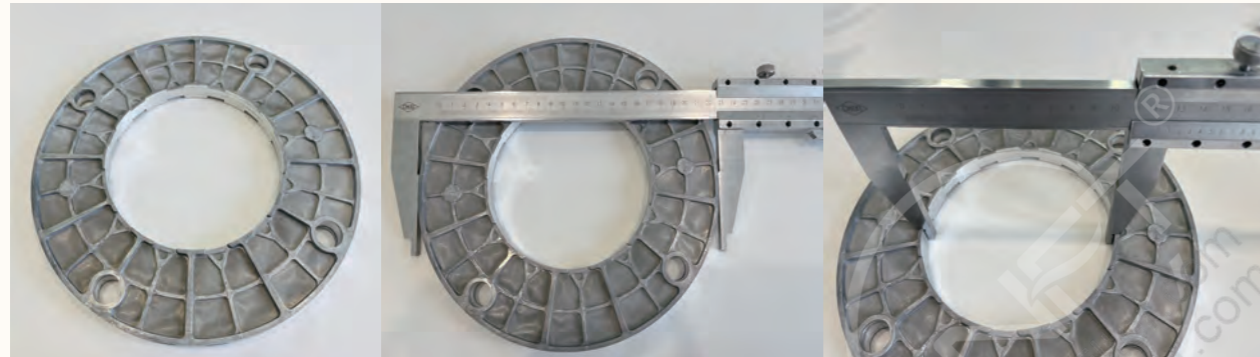
MOATTI FILTERING CODE/FILTER FINENESS

Moatti filtering code	Filter fineness in µm	
	Absolute <sup>1)</sup>	Nominal <sup>2)</sup>
A05	35	20
A07	45	30

- 1) **Absolute:** Mesh size (Sphere passing mesh)
- 2) **Nominal:** 85 - 90 % of all particles with a diameter larger than the figure in the table are retained.

APPLICATION FILTER MODEL:

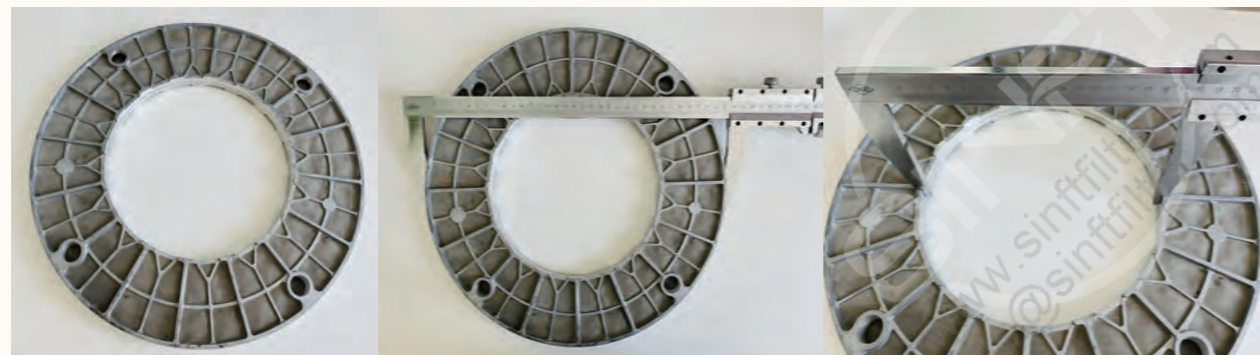
**Type 240**



Alfa Laval Model	Sinft Model	Size	Filter Fineness in $\mu\text{m}$	Full flow filter/ Diversion filter
1800-03335	DX-077	OD240mm*ID132mm	30 $\mu\text{m}$	Full flow filter

APPLICATION FILTER MODEL:

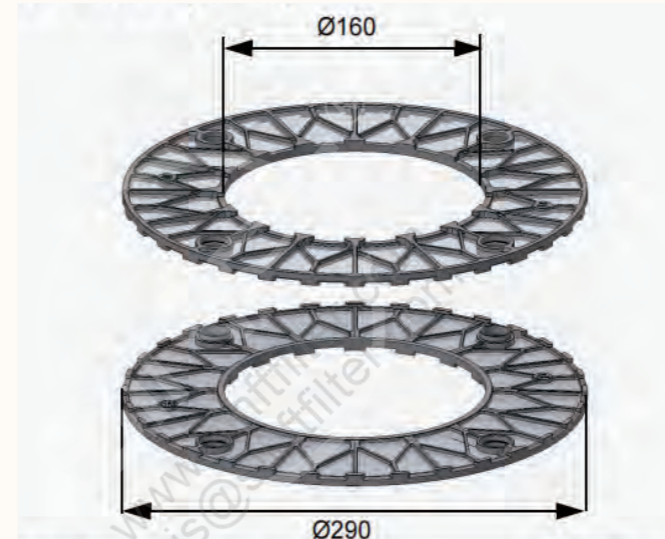
**Type 350**



Alfa Laval Model	Sinft Model	Size	Filter Fineness in $\mu\text{m}$	Full flow filter/ Diversion filter
1800-03426	DX-086	OD350mm*ID200mm	30 $\mu\text{m}$	Full flow filter
1800-03427			50 $\mu\text{m}$	
1800-03428			70 $\mu\text{m}$	
1800-03435			110 $\mu\text{m}$	

APPLICATION FILTER MODEL:

**Lube Oil Filter Type 290 A20 to 40**



Filtration code according to filter model	Full flow filter element Article No.
R	1800-03202
T	1800-03203
X	1800-03204

Filter Size	Number of full-flow elements in one set	Filtration code		
		R (25 $\mu\text{m}$ )	T (34 $\mu\text{m}$ )	X (45 $\mu\text{m}$ )
290A20	20	1800-19491	1800-19494	1800-19497
290A30	30	1800-19492	1800-19495	1800-19498
290A40	40	1800-19493	1800-19496	1800-19499

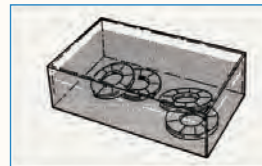


## 02. CLEANING METHOD

### STEP 1

Before cleaning, keep one full-flow and one diversion filter element as "guides" for the reassembly of the filter halves after cleaning.

### STEP 2



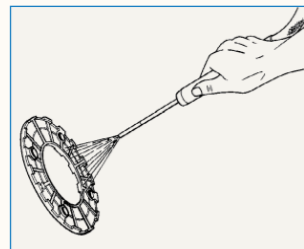
Put the filter element into a cleaning tray filled with the cleaning solvent. Soak the filter elements in the tray for at least 15 minutes.

### STEP 4

Brush the element halves with a soft brush. Then rinse the element halves on both sides with the air/water gun.



### STEP 6



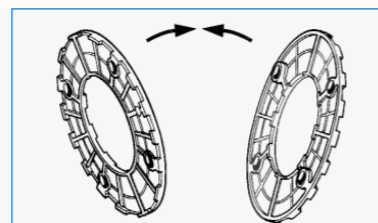
Carefully examine the condition and cleanliness of the two halves. Replace any damaged elements. Always check the filter screen to ensure that it is not cracked. If the elements were not clean, repeat the cleaning procedure (steps 2 to 6) again. Increase the time the element halves are in the cleaning tray.

### STEP 7

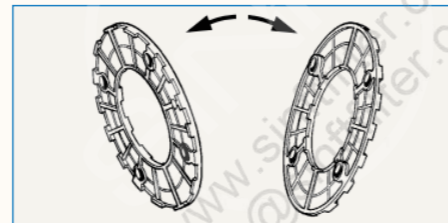
Reassemble the element halves and repeat steps 3 to 6 on the next of element from the tray.

### STEP 8

When all the elements have been satisfactorily cleaned and reassembled according to the "guide" elements, clean the "guide" elements.



### STEP 3



Remove an element from the cleaning tray and separate it into its halves.

### STEP 5

Dry the element halves with compressed air.

## 03. APPLICATION SCENARIO

### APPLIED FILTERS INCLUDE:

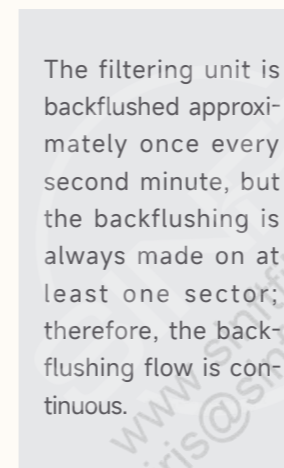


MOATTI 152



MOATTI 180

The Alfa Laval Moatti Filter is designed for full-flow filtration of lubricating oils used in engines that burn all types of fuels. Installed as close to the engine as possible to prevent harmful particles, in the oil, from entering the engine. The additional benefits include the reduction of downtime, maintenance costs, oil change intervals, and disposal costs. The Moatti filter consists of the following parts: filter housing, filtering elements, filtering unit and distributor, and hydraulic motor.



MOATTI 350

The filtering unit is backflushed approximately once every second minute, but the backflushing is always made on at least one sector; therefore, the backflushing flow is continuous.



MOATTI 240



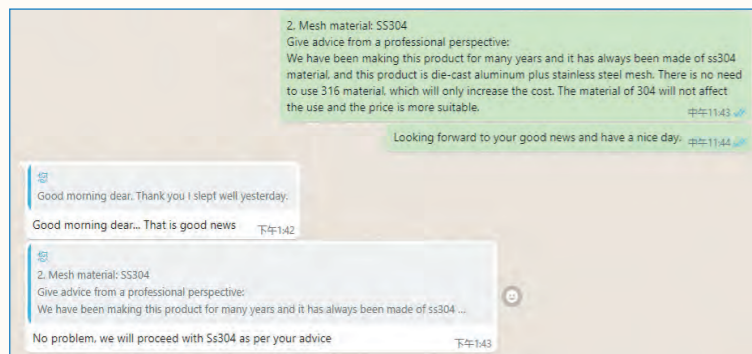
MOATTI 290

The Alfa Laval Eliminator is a combination of a full-flow and centrifugal system that incorporates a permanent stainless steel core that eliminates the need for disposable oil filters. It is a two-stage filter media system. The Eliminator uses oil pressure in the lubricating system to spin the centrifugal separator with no additional load on the engine.

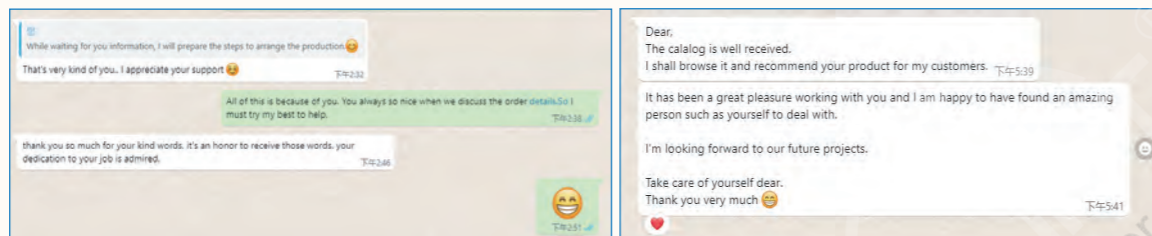


# 04. USER EVALUATION

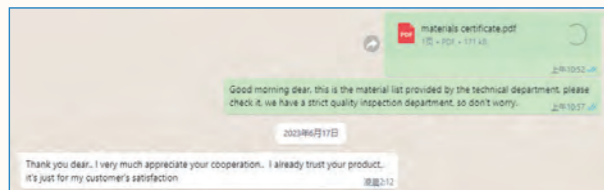
## Provide customer suggestions from a professional perspective



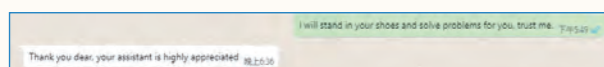
## Customer recognition



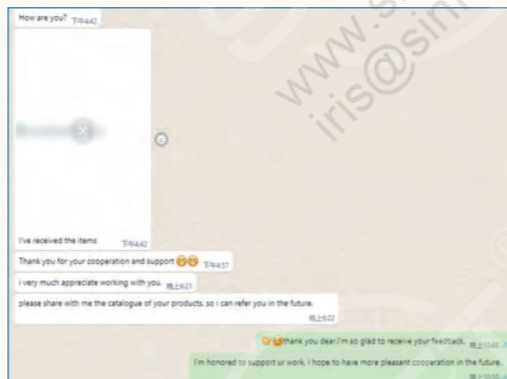
## Provide customers with more product support



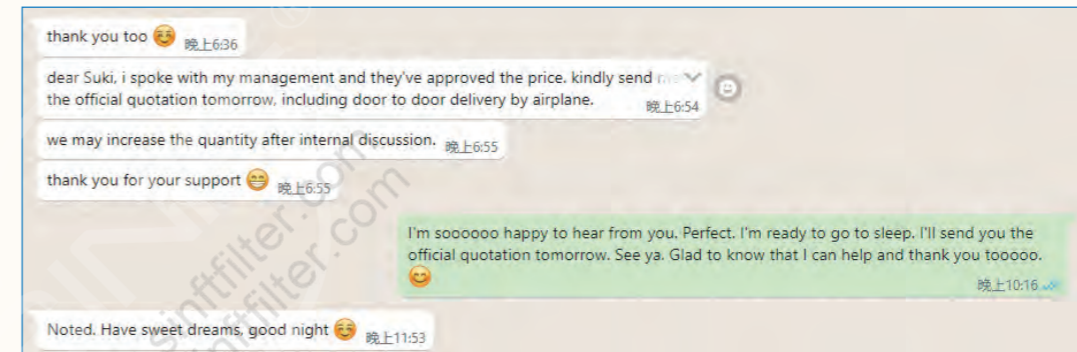
## Give customers trust



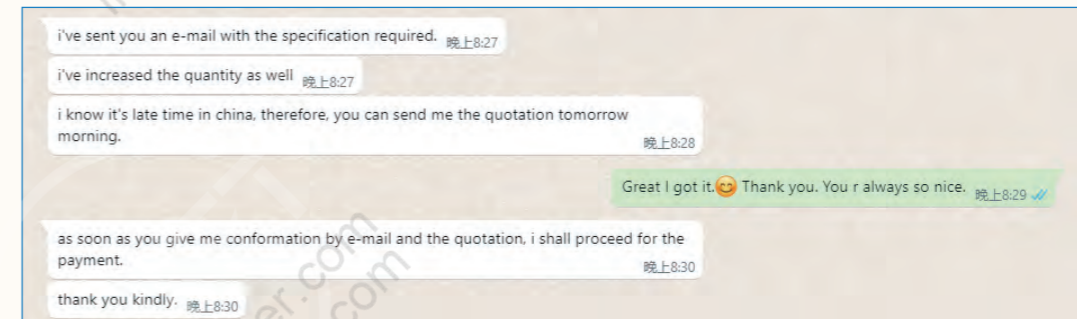
## Customer product feedback is very satisfactory, seeking more cooperation



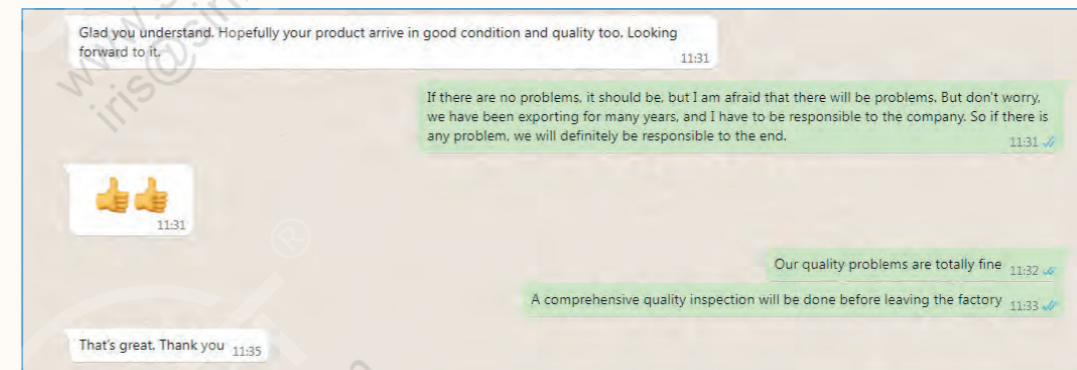
## The customer's manager agreed to the price and felt it was good, but wanted to increase the quantity



## The customer is very satisfied and wants to place an additional order

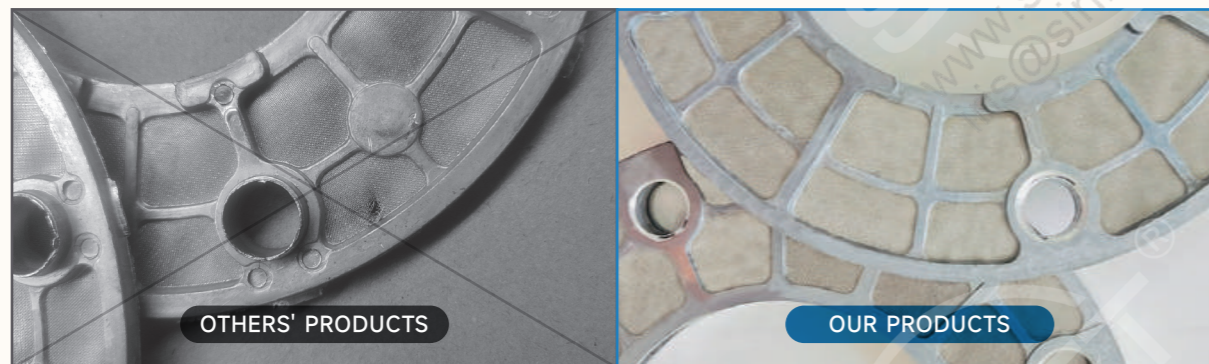
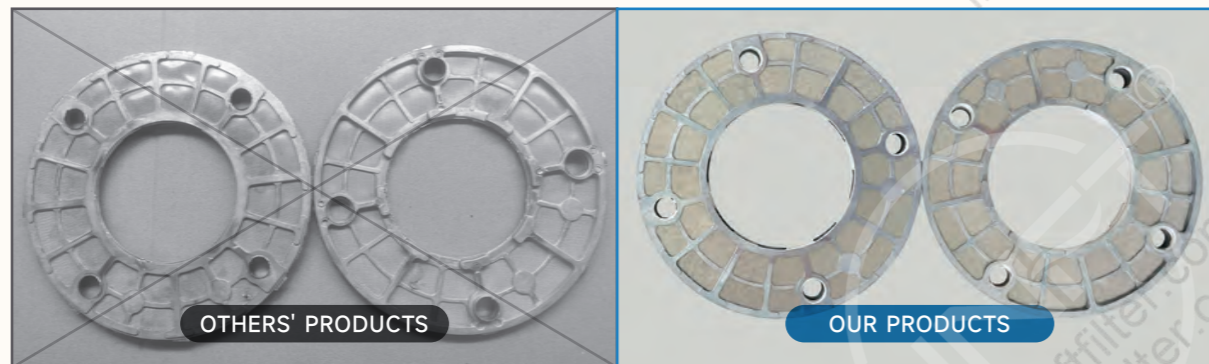
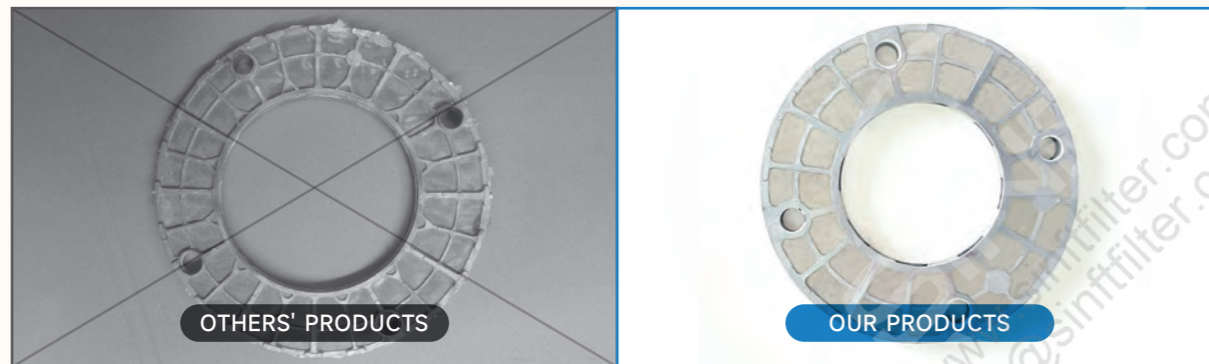


## Eliminate customer concerns





## 05. PRODUCT COMPARISON



## 06. AFTER-SALES SERVICE



### NEED SPARES FOR YOUR ALFA LAVAL MOATTI FILTERS?

Whether you are looking for Alfa Laval Moatti Filter alternative replacement spare parts or accessories, we are your best choice. SINFT is well experienced on Full Flow Filter Discs, Diversion Filter Discs applications. We allow you to save money without losing quality. Let us help keep your Alfa Laval filtration performance and maintenance schedule on track.



Our spare parts for Alfa Laval oil filters are fully compatible with OEM parts and come complete with a 12-month warranty on all non-wear items. Our filter spare parts comply with the latest specifications and help prolong the lifecycle of your installation. On-going research and development ensures that you will always get the latest applicable parts and ensures reliability. Our supplied parts give you true cost-efficient peace of mind.

Therefore, you can rest assured that our whole team is behind you every step of the way.